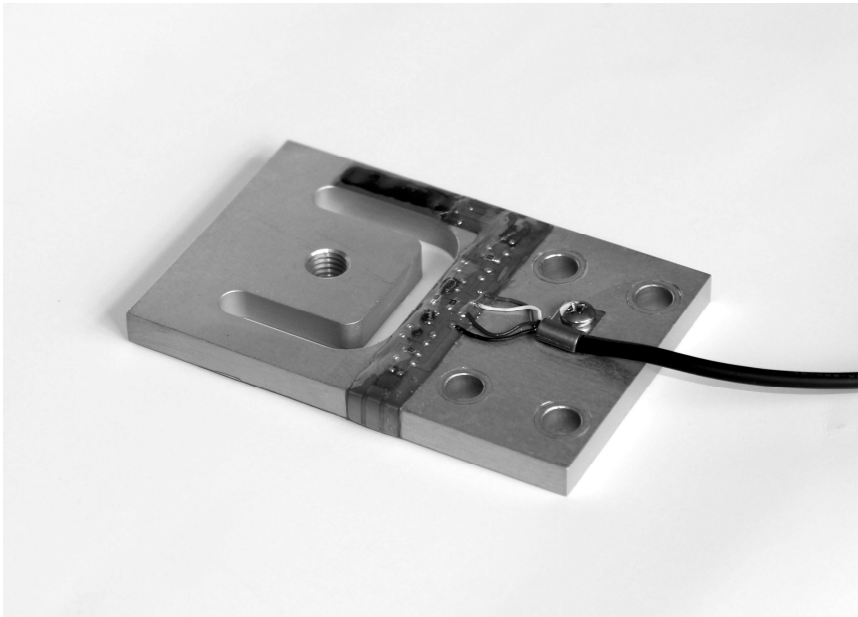


HA38

PLANAR BEAM ALUMINUM LOAD CELL

TRUE-TEC

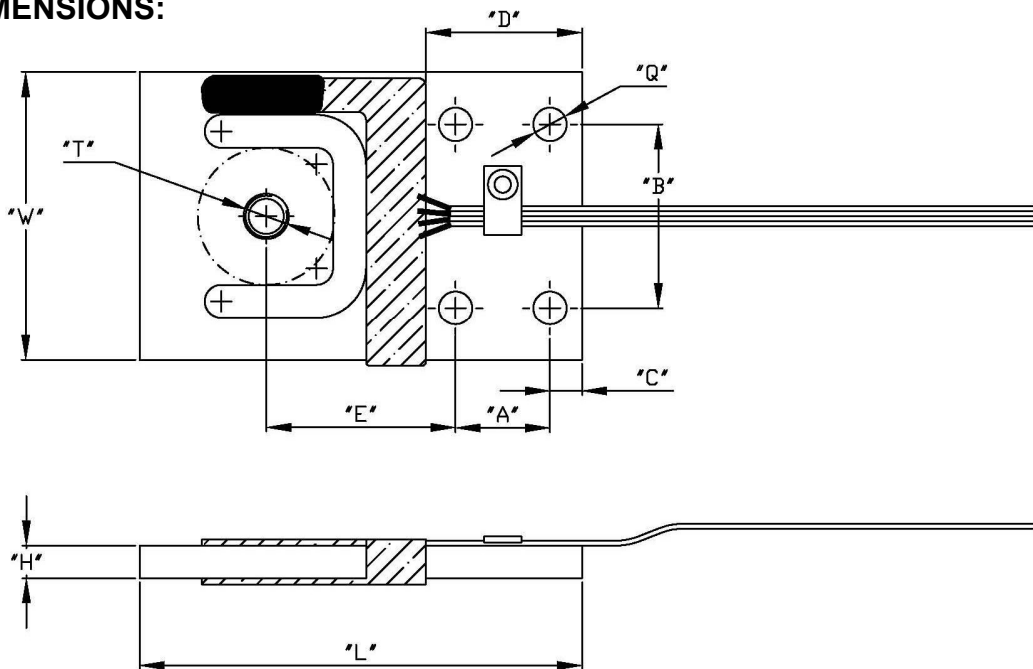
Quality by Advanced Technology



FEATURES:

- Capacity range 3.75kg up to 375kg
- Anodized Aluminum Alloy Structure
- IP65 Protection
- 1000 Ohm gauge resistance, Optional 350 Ohm gauge resistance available
- Current calibration in mV/V/Ohm to 0.05% for class R and T
- OIML approved to C4 accuracy (Y>10000)

OUTLINE DIMENSIONS:



Emax	L	W	H	A	B	C	D	E	Q	T
3.75kg	70	39	2.0	14	28	5.2	23.7	28	5.1	M4
7.5kg	70	39	2.8	14	28	5.2	23.7	28	5.1	M4
15kg	70	39	4.0	14	28	5.2	23.7	28	5.1	M6
75kg	85	54	7.8	15	30	7.0	28.2	34	6.2	M8
150kg	107.5	70	8.2	23	44.5	7.8	37.8	46	8.2	M10
375kg	120	76	12.5	25.4	50.8	9.5	43.5	52.6	10.5	M10

SPECIFICATIONS:

PARAMETER	UNIT	VALUE		
		M	R	T
True-Tec Class		M	R	T
Rated capacity (E_{max})	kg	3.75, 7.5, 15, 75, 150, 375		
Sensitivity	mV/V	0.9500	0.9000	
Sensitivity Tolerance	± mV/V	0.0500	0.0010	0.0010
Creep Over 30 min.	± %	0.0500	0.0167	0.0125
Temp. effect on Sensitivity	%of RO/10°C	0.0200	0.0100	0.0075
Temp. effect on Zero	%of RO/10°C	0.0400	0.0186	0.0140
Zero Balance	±mV/V	0.05		
Nominal temp. range	°C	-10 to +40		
Service temp. range	°C	-30 to +70		
Limit Load	% of R.C.	150		
Break Load	% of R.C.	200		
Nominal Excitation	V	10		
Max. Excitation	V	15		
Input Impedance	Ohm	1160 ±50 or 405 ±15		
Output Impedance	Ohm	1000 ±5 or 350 ±3		
Insulation	MOhm	>2000		
Construction		Anodized Aluminum Alloy		
Standard Cable		4x26 AWG Flat cable for 3.75kg up to 15kg capacity, or 4x26 AWG Black PVC round cable for 75kg up to 375kg capacity		
Cable Length*	m	Flat cable: 0.5 Round cable: 1.5		
Color Code		+Exc: green; +Sig: red; -Exc: black; -Sig: white		
Protection to IEC529		IP 65		

Note: * Optional cable length available to order..

APPLICATIONS:

The Model HA38 is a very low profile planar beam load cell. Its unique design allows for an extremely low scale construction. The wide range of capacities and low profile make Model HA38 most suitable for use in medical and other areas.

Due to True-Tec's Policy of continuous development, these specifications are subject to change without notice.
All details describe our products in general form only. They are not to be understood as express warranty and do not constitute any liability whatsoever.

Beijing True-Tec Co., Ltd.

4/F, Bldg. 2, No. 8, Hong Da Bei Lu
BDA, Beijing 100176, China
Tel.: +86-10-67869219 Fax: +86-10-67862581
E-mail: info@true-tec.com www.true-tec.com